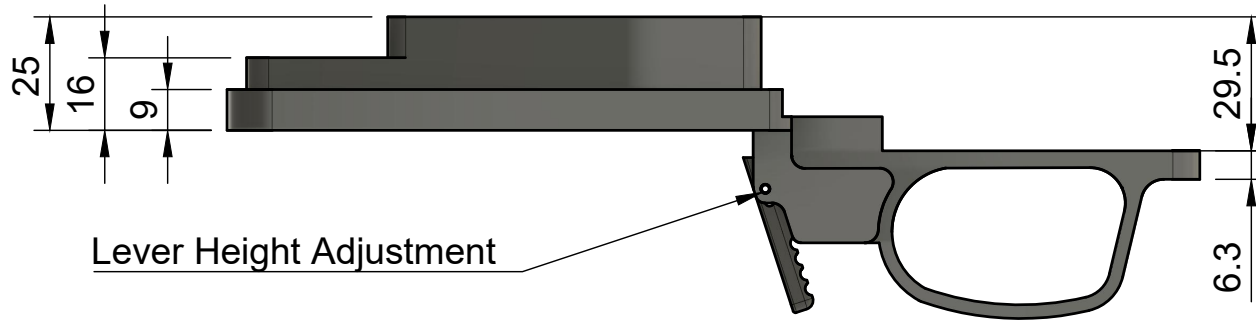
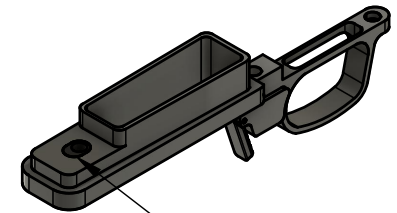
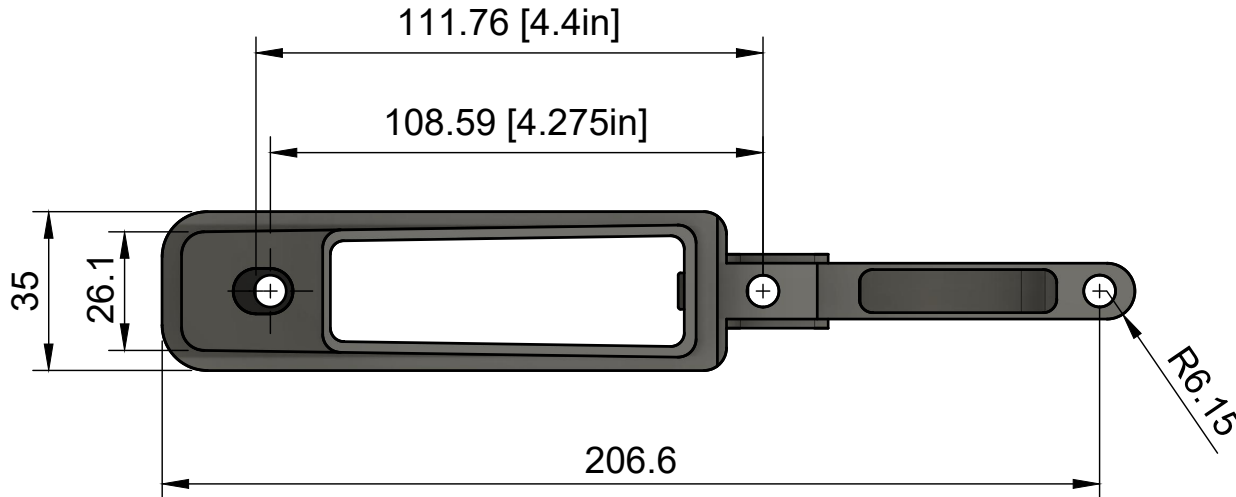


Fitment Details:

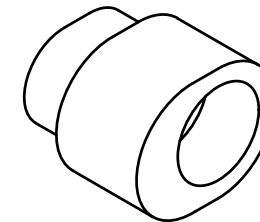
- Suits Savage Model 10 / 11 / 12 with Centre Feed 4.400" or Stager Feed 4.275".
- Inletting is required with this product.
- For use with **Top Bolt Release** Models only.
- Lever height is adjustable (use alternative hole in lever).
- Accepts AICS Pattern Short Action Magazines



Lever Height Adjustment



Offset Bush



Rotate Offset Bush 180° to adjust action bolt hole distance.

Disclaimer:

For legal reasons we recommend that this product is to be installed by a qualified / permitted person in accordance to laws (if any) in your jurisdiction.

We accept no liability for any damage or injury which may result from improper installation or use with this product.



Email - info@atlasworxs.com

Title
Atlasworxs - Savage Model 10 / 11 / 12 SA Bottom Metal (AICS Pattern Mags)

DWG No.

AW0396-A

Created by
Atlasworxs

Rev.
A

This drawing is not to be released in whole or part to any third part without the express permission of Atlasworxs

Date of issue
24/12/2023

Sheet
1/1