

Fitment Details :

- Fitment designed to suit Tikka T3 / T3x CTR inlet (no inletting)
- This product can also be used in a Tikka T3 / T3x Short Action model set up (inletting is required, check width of stock allows for this).
- Standard Tikka T3 Action Bolts to be used, tightened to factory settings (Not included).

AICS Compatible Magazines:

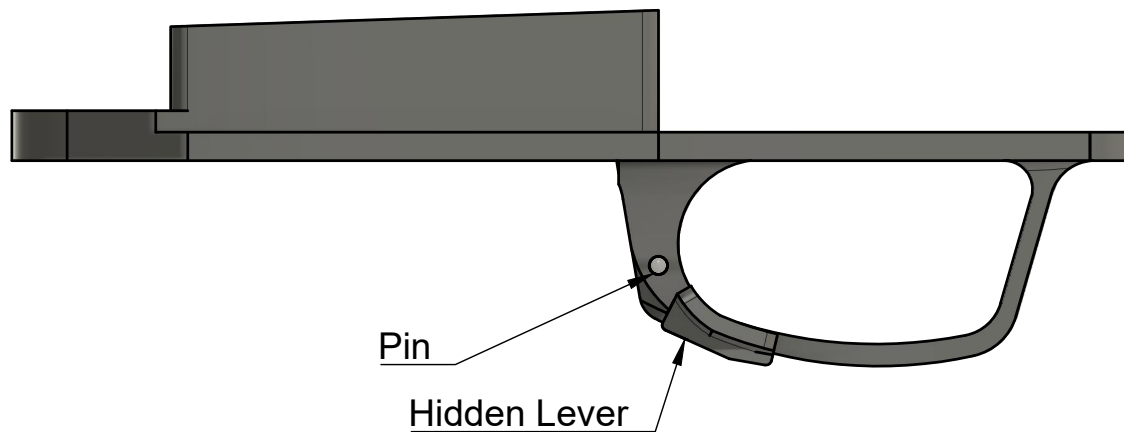
- Short Action Accurate
- Short Action MDT
- Short Action AI

Magpul Pmags will not fit into the Tikka T3 Action as the feed lips are too wide.

Included in the kit are two magazine release levers

- Hidden Lever (shown)
- Long straight lever

To remove lever, use a pin punch to knock out pin, be careful to ensure the spring for the lever does not get lost.



Disclaimer:

For legal reasons we recommend that this product is to be installed by a qualified / permitted person in accordance to laws (if any) in your jurisdiction.

We accept no liability for any damage or injury which may result from improper installation or use with this product.



Email - info@atlasworxs.com

Title

**Atlasworxs - Tikka
T3 / T3x CTR
Bottom Metal**

DWG No.

AW0490-A

Created by

Atlasworxs

Rev.

A

This drawing is not to be released in whole or part to any third part without the express permission of Atlasworxs

Date of issue

24/12/2023

Sheet

1/1