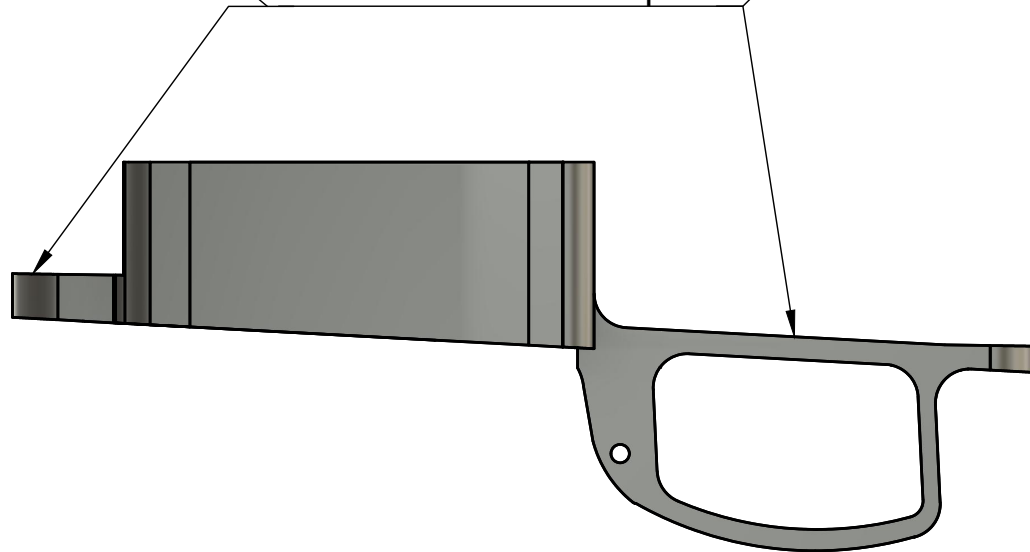


Short Action BDL Footprint



Fitment Details:

- Designed to fit the standard remington 700 short action BDL inlet with minimum modifications.
- The footprint area is the same as the BDL inlet
- The magwell area will require a small amount of stock modification.
- Standard action screws are to be used (not included)

AICS Compatible Magazines:

- Short Action Accurate
- Short Action MDT
- Short Action AI
- Short Action Pmag

Disclaimer:

For legal reasons we recommend that this product is to be installed by a qualified / permitted person in accordance to laws (if any) in your jurisdiction.

We accept no liability for any damage or injury which may result from improper installation or use with this product.



Email - info@atlasworxs.com

Title

Atlasworxs - Remington 700
SA Elite Bottom Metal Flush
Mount
(AICS Pattern Magazines)

DWG No.

AW0577-A

Created by

Atlasworxs

Rev.

A

This drawing is not to be released in whole or part to any third part without the express permission of Atlasworxs

Date of issue

26/12/2023

Sheet

1/1